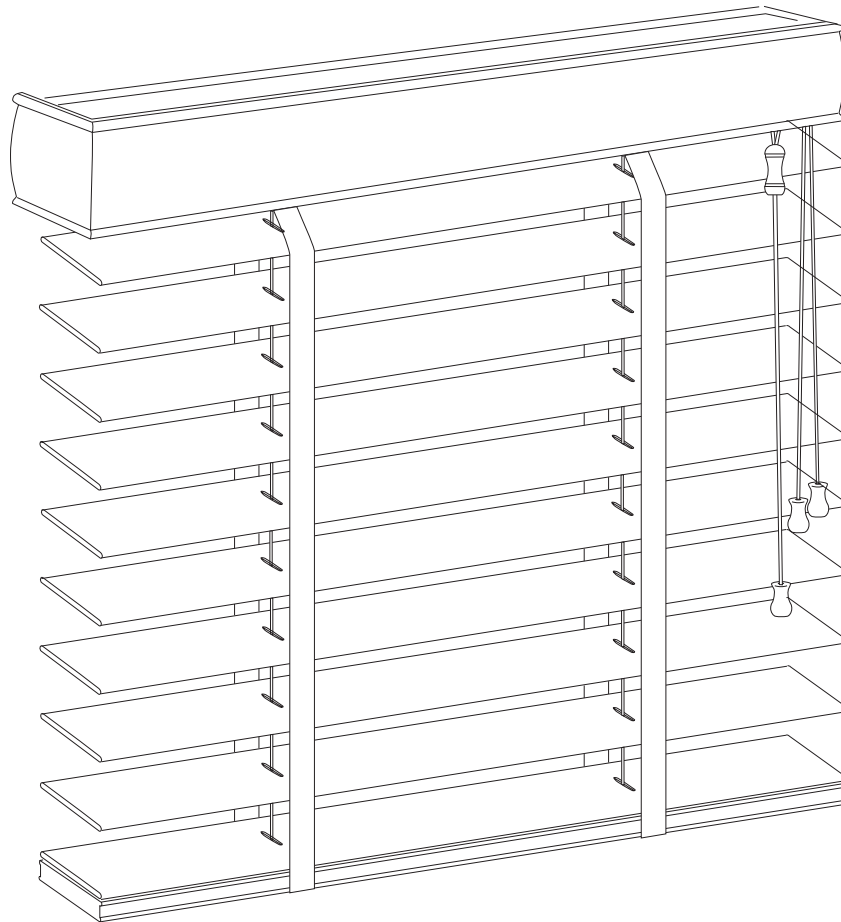


Horizontal Blinds

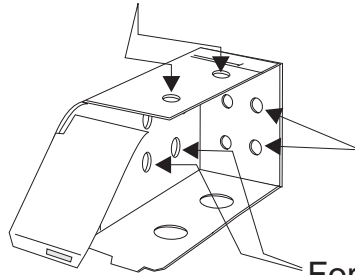
Installation Instructions



Hardware Basics

The box style mounting brackets are designed to work in all possible mounting applications. The diagram below indicates which screw holes to use for each option.

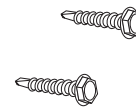
For Ceiling Mount



For Outside Mount

For Side Mount

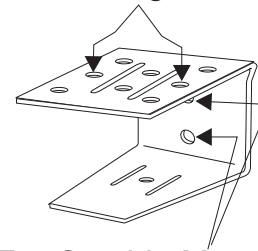
Always use at least two screws per bracket to ensure a strong, secure mount.



All blinds require two end brackets

Blind Width	# of Center Support Brackets
over 48"	1
over 96"	2

For Ceiling Mount

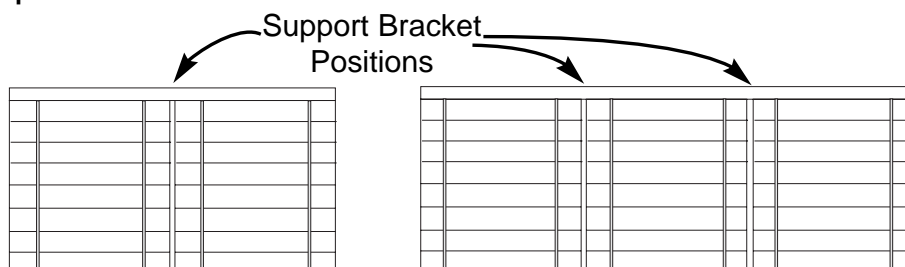


When using extension Brackets:

Blind Width	Support Brackets
over 30"	1
over 60"	2
over 90"	3

For Outside Mount

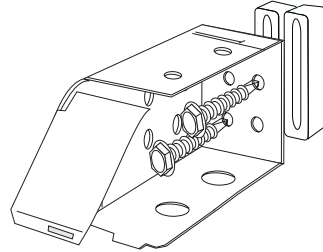
All 2 on 1s receive at least 1 support Bracket. All 3 on 1s receive at least 2 support Brackets. Center support brackets for 2 on 1's and 3 on 1's should be placed between panels. Additional brackets should be used if panel sizes are over 48".



Blinds with 2 1/2" Slats

2 1/2" slats extend beyond the back of the headrail.

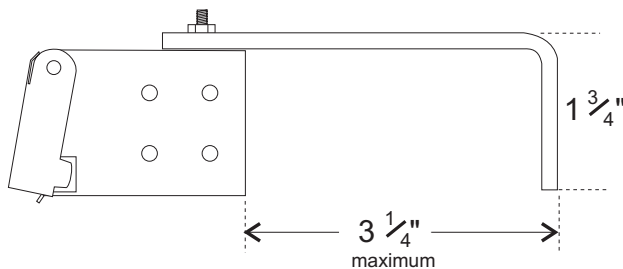
Spacer blocks must be used for all Outside mount applications. Use two (2) spacer blocks for each Installation Bracket.



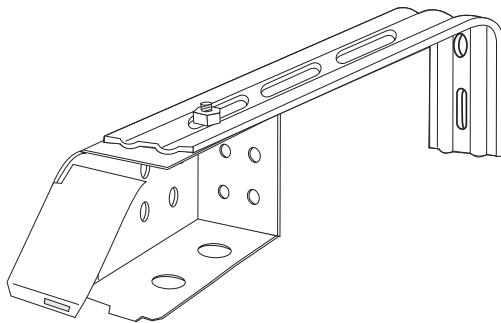
For Inside mount applications there must be a minimum of 1/4" between the back of the headrail and any obstruction.

Mounting beyond Obstructions

Use extension brackets to project the standard mounting brackets out over obstructions up to 3 1/4".



Extension Brackets require a 1 3/4" flat surface for mounting.

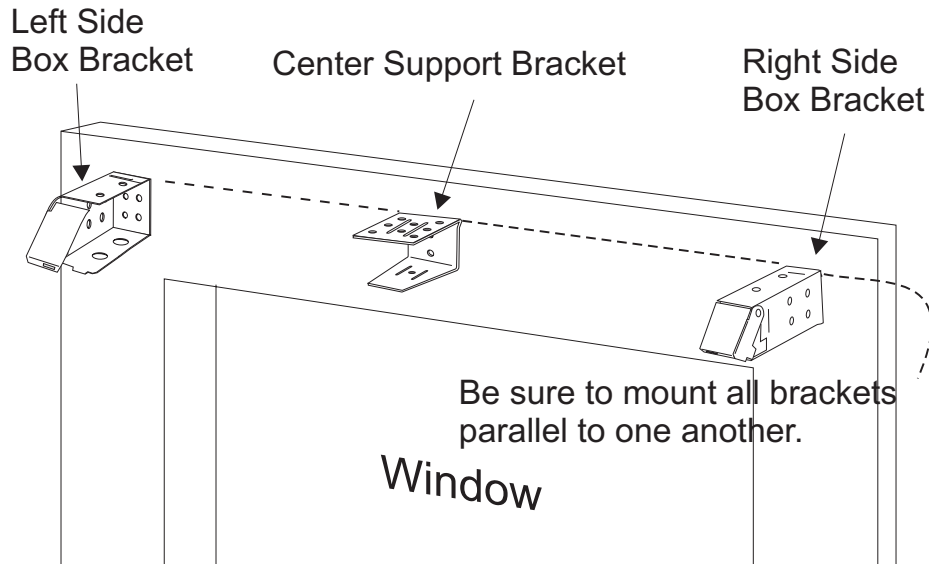


Nuts and bolts are provided for attachment



Install Brackets

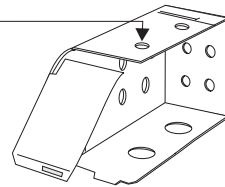
Mount brackets as shown below. Always use all brackets supplied. All blinds 48" or wider (30" if using extension brackets), require the use of center support brackets. Be sure to mount the support bracket(s) in position(s) that will not interfere with the lift mechanisms.



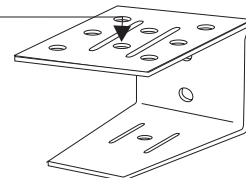
Bracket Installation for Shallow Mount Valance Option

The brackets must be installed so that the front of the headrail is flush with the front of the window opening for the valance to fit properly.

Position the end brackets so that the front screw hole is 1 1/8" from the front of the window opening.



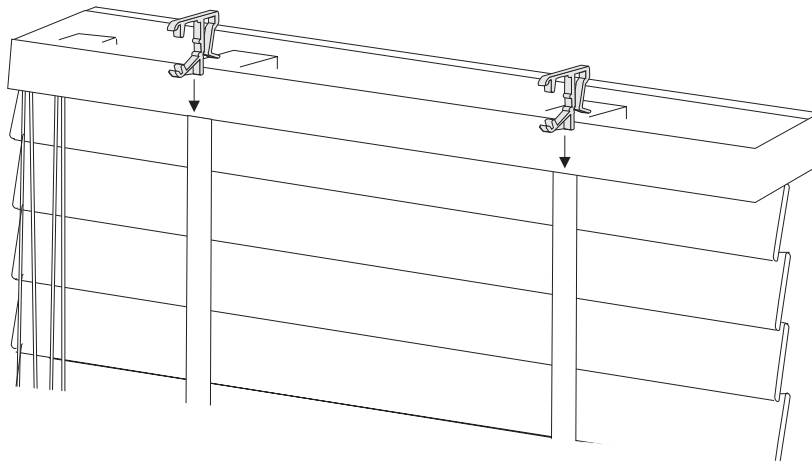
Position center support brackets so that the center front screw hole is 1" from the front of the window opening.



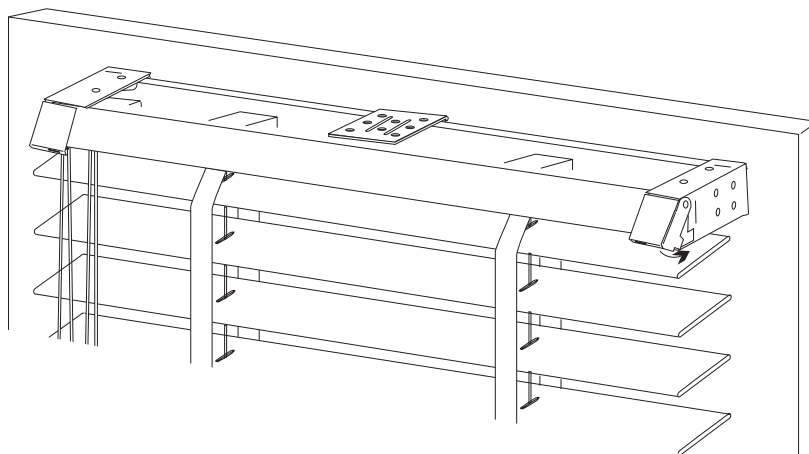
Install Blind

For inside mount or shallow mount valance option, the valance clips must be placed on the headrail before the headrail is placed in the brackets.

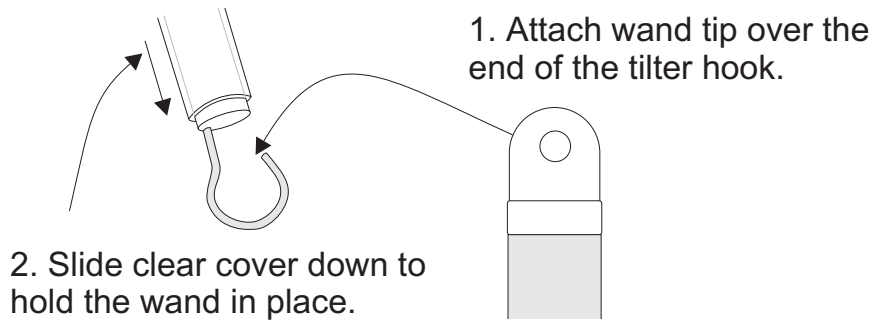
Slide a valance clip onto the headrail at each ladder position.



Position the headrail in the box brackets as shown. Swing the covers down and snap them closed.



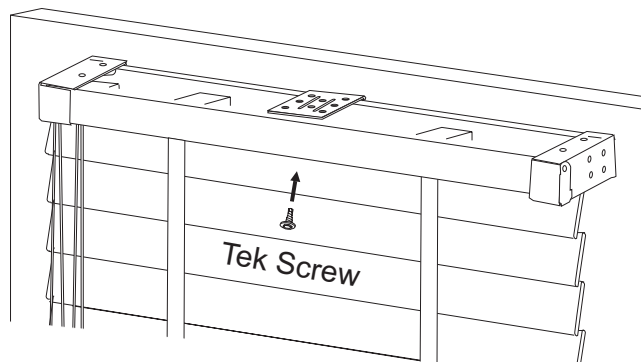
Tilt Wand Attachment



Blinds 48" or Wider, Install Tek Screw

Tilt slats closed and secure headrail to center support bracket with a Tek screw.

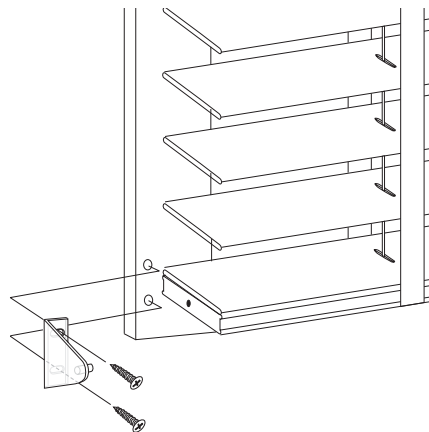
Use caution when installing tek screw to avoid damaging the top slat.



Hold Down Brackets (optional)

Made of Molded Clear Plastic. Fits into pre-drilled hole in the bottom rail to secure the bottom rail in place.

(Generally used on door shades.)

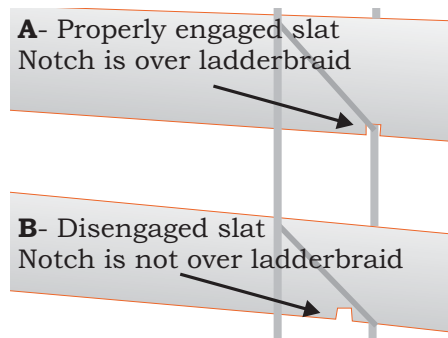


Routless Blind Slat Alignment

Due to the unique stringing method of Routless Blinds, the slats may become disengaged during shipping, installation, and aggressive use. To ensure proper operation of the Routless/Privacy Plus Blind it is important to check the engagement of the slats on the ladder braid. The notch in the slat should align with the ladder braid.

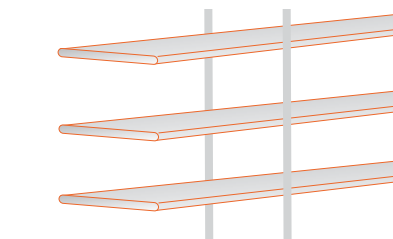
Slat A is properly engaged while slat B has disengaged.

To fix a disengaged slat, simply move the slat by hand until the notch is properly seated on the ladder braid.



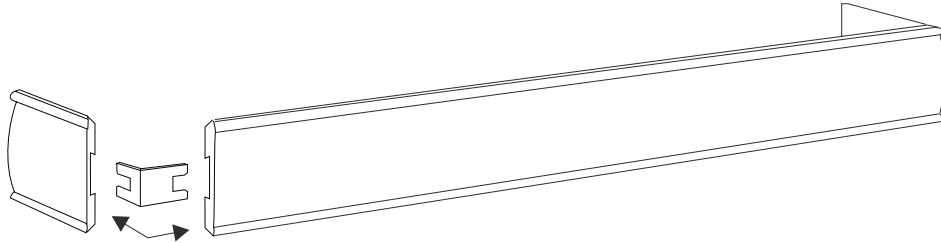
Routless Blind Operation

For optimal performance, Routless Blinds should only be raised or lowered when the slats are in the horizontal position.



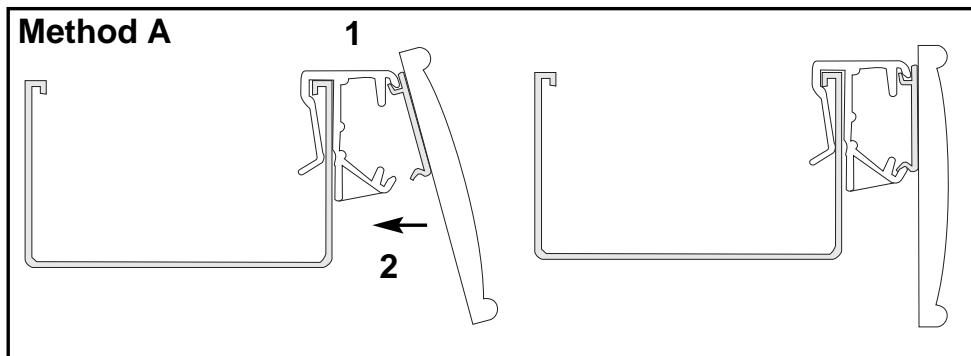
Valance Assembly

If the returns are not already attached to the valance face, slide one end of a corner connector into the channel on the back of the return. Slide the opposite end into the channel on the back of the valance face. Repeat for the second return.

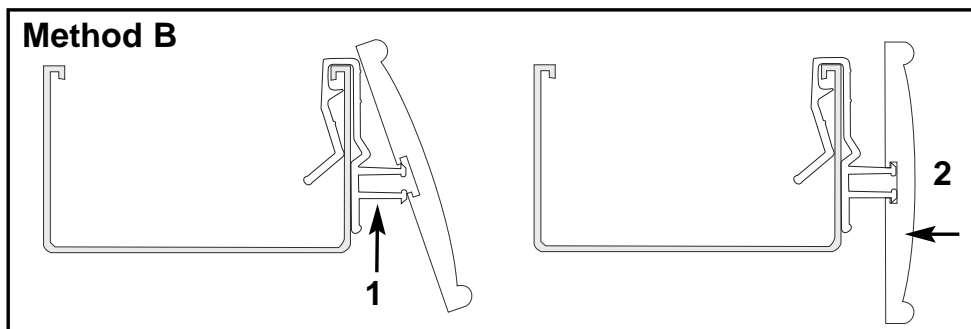


Valance Installation

Depending on the product you selected, use one of the two methods to attach the valance to the clips that were provided.



Or



Push up to snap bottom leg of clip into the slot on the back of the valance.

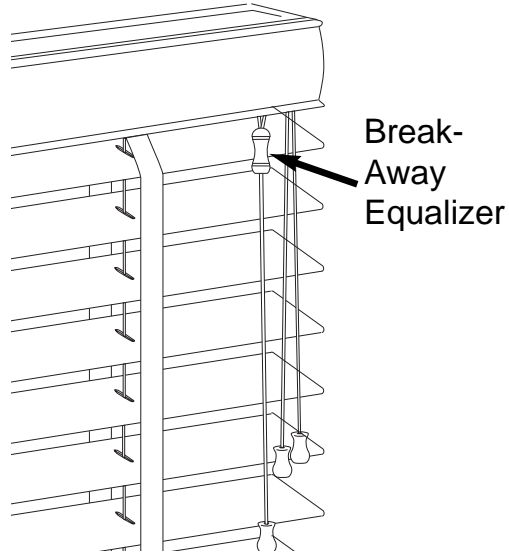
Child Safety



To avoid entanglement and strangulation, keep cords out of the reach of young children.

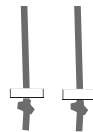
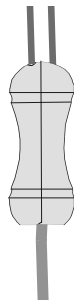
Move cribs and furniture away from blind cords.

To further reduce hazards, this blind was built with an equalizer which was designed to break apart when force is applied from the top.

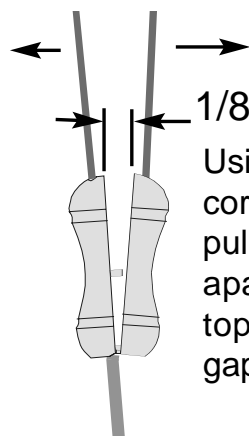


No safety system is fail-safe. KEEP CORDS OUT OF REACH OF SMALL CHILDREN!

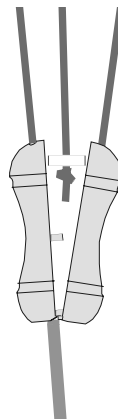
If your equalizer should happen to break apart, follow these instructions to re-assemble.



Leave the loose cords outside. Snap the two halves together making sure that the bottom is snapped into place.



Using the two cords in place, pull the halves apart at the top until the gap is 1/8".



Insert the loose cords and washers between the two halves and allow the halves to snap shut.

Make sure that the cords are in the notches.

Care and Cleaning

Periodic dusting with a feather duster or vacuum cleaner brush is all horizontal blinds should ever require. The polymer coating on horizontal blinds resists chipping, cracking, fading and is inherently dust repellent. If necessary blinds can be cleaned with soap and water to remove stains. Slats are fully washable and will not warp if exposed to water or humid conditions.

Trouble Shooting

Problem: Outside mount valance is too narrow and will not fit over blind.

Cause: Brackets were mounted too far apart.

Repair: Reposition mounting brackets so that the outside edges are no farther apart than the ordered blind width.

Problem: Blind slides out of Center Support Brackets during operation.

Cause: Tek screw was not installed.

Repair: Install a tek screw in each Center Support Bracket following instructions on page 6.

Problem: The slats on a 2 1/2" blind rub the window or window casing.

Cause 1: Brackets for an outside mount were installed without the use of spacer blocks.

Repair 1: Reinstall brackets with spacer blocks following the procedures on page 3.

Cause 2: Brackets for inside mount were installed without the minimum 1/4" clearance.

Repair 2: Reposition brackets so that the back of the brackets are atleast 1/4" from any obstruction.